

BRIZO®

LAVATORY FAUCETS

- Litze™ Collection
- Two Handle Widespread Deck Mount

FEATURES:

- Handles attach to end valves by use of magnets inside handle. No set screw required

STANDARD SPECIFICATIONS:

- Maximum 1.50 gpm @ 60 psi, 5.70 L/min @ 414 kPa
- Maximum (ECO models only) 1.20 gpm @ 60 psi, 4.54 L/min @ 414 kPa
- Three hole mount
- Control mechanism is a rotating cylinder ceramic cartridge with 90° rotation
- 1/4 turn handle stops
- 1/2-14 NPSM threaded inlets
- Metal pop-up drain included
- Flexible hose connections
- Solid brass fabricated end valve and spout bodies
- Spout features water efficient laminar flow
- Handles sold separately

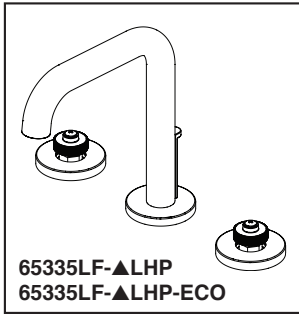
WARRANTY

- Lifetime limited warranty on parts (other than electronic parts and batteries) and finishes: or, for commercial users, for 5 years from date of purchase.
- 5 year limited warranty on electronic parts (other than batteries); or, for commercial users, for 1 year from the date of purchase. No warranty is provided on batteries.



COMPLIES WITH:

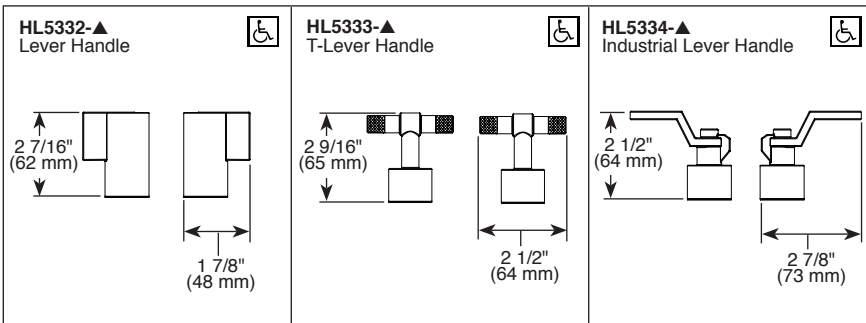
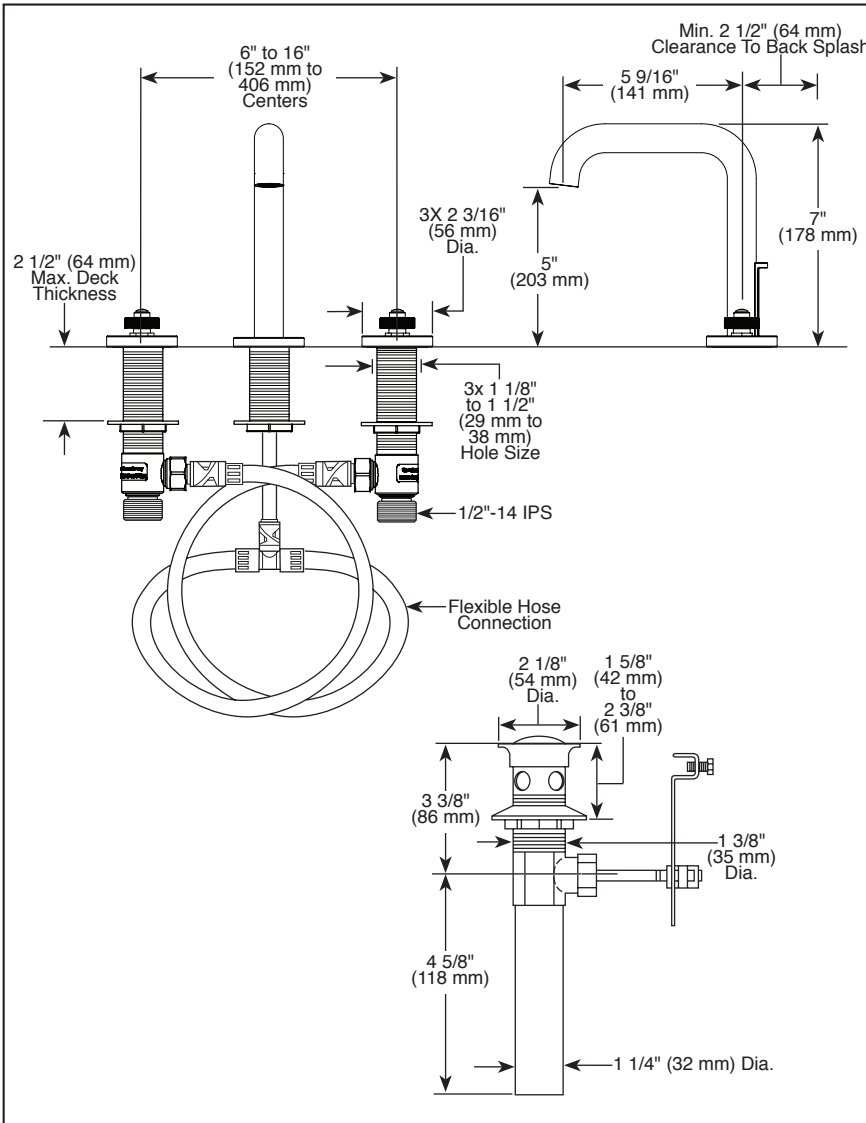
- ASME A112.18.1 / CSA B125.1
- ASME A112.18.2 / CSA B125.2
- Indicates compliance to ICC/ANSI A117.1
- EPA WaterSense®
- Verified compliant with .25% weighted average Pb content regulations.



65335LF-▲LHP
65335LF-▲LHP-ECO

Submitted Model No.: _____

Specific Features: _____



▲ Designate Proper Finish Suffix

Brizo Kitchen & Bath Company reserves the right (1) to make changes in specifications and materials, and (2) to change or discontinue models, both without notice or obligation. Dimensions are for reference only. See current full-line price book or www.brizo.com for finish options and product availability.

BSP-L-65335LF-LHP Rev. A

Brizo Kitchen & Bath Company
Indianapolis, Indiana 46280
A Division of Masco Corporation of Indiana
© 2016 Brizo Kitchen & Bath Company