

**Art. B106WU**

**Two-hole vessel mixer with single-control**

- 6 1/4" spout projection
- Without drain
- Aerated flow
- Ceramic disc cartridge
- Flexible supply lines
- Handle included
- Water flow restricted to 1.2 GPM

Drain to be ordered separately:  
please select #9865U or #9867U

**Finishes:**

- |                          |                    |              |
|--------------------------|--------------------|--------------|
| <input type="checkbox"/> | <b>Matte White</b> | 26 29 B106WU |
| <input type="checkbox"/> | <b>Chrome</b>      | 26 02 B106WU |
| <input type="checkbox"/> | <b>Matte Black</b> | 26 13 B106WU |



**Project:**

---



---

**Room:**

---



---

**Date:**

---



---

**Comments:**

---



---



---



---



---



---



---



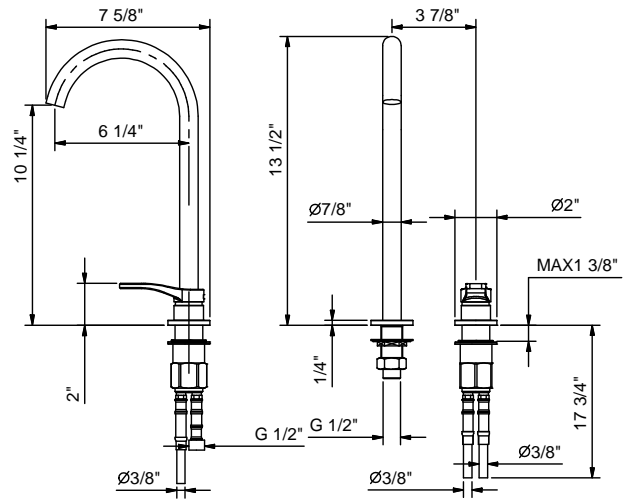
---



---



---



**Certifications/Awards:**