

Art. B121BU+B121AU

Wall-mount tub filler

- 8" spout projection
- Cylindrical handshower with anti-siphon check valve
- 1/2" female inlets
- Handshower holder with 58" PVC hose and water outlet
- 2-way diverter
- 1/4 turn ceramic disc cartridge
- Handles included
- Water flow restricted to 1.8 GPM for handshower

Trim

Finishes:

- Matte White** 26 29 B121BU
- Chrome** 26 02 B121BU
- Matte Black** 26 13 B121BU

Rough

Finishes:

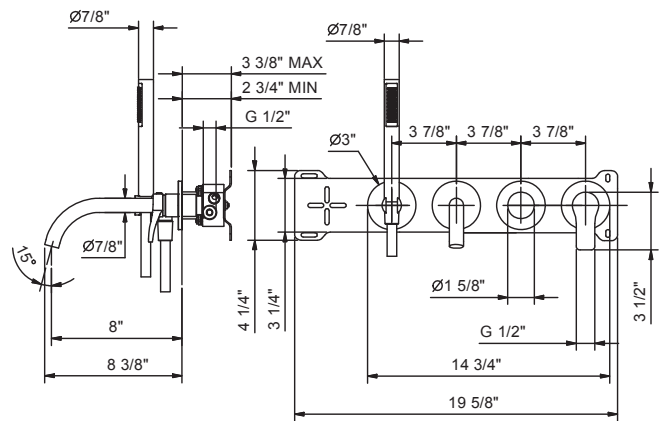
- Matte White** 17 29 B121AU
- Chrome** 17 02 B121AU
- Matte Black** 17 13 B121AU

Project:

Room:

Date:

Comments:



Certifications/Awards: