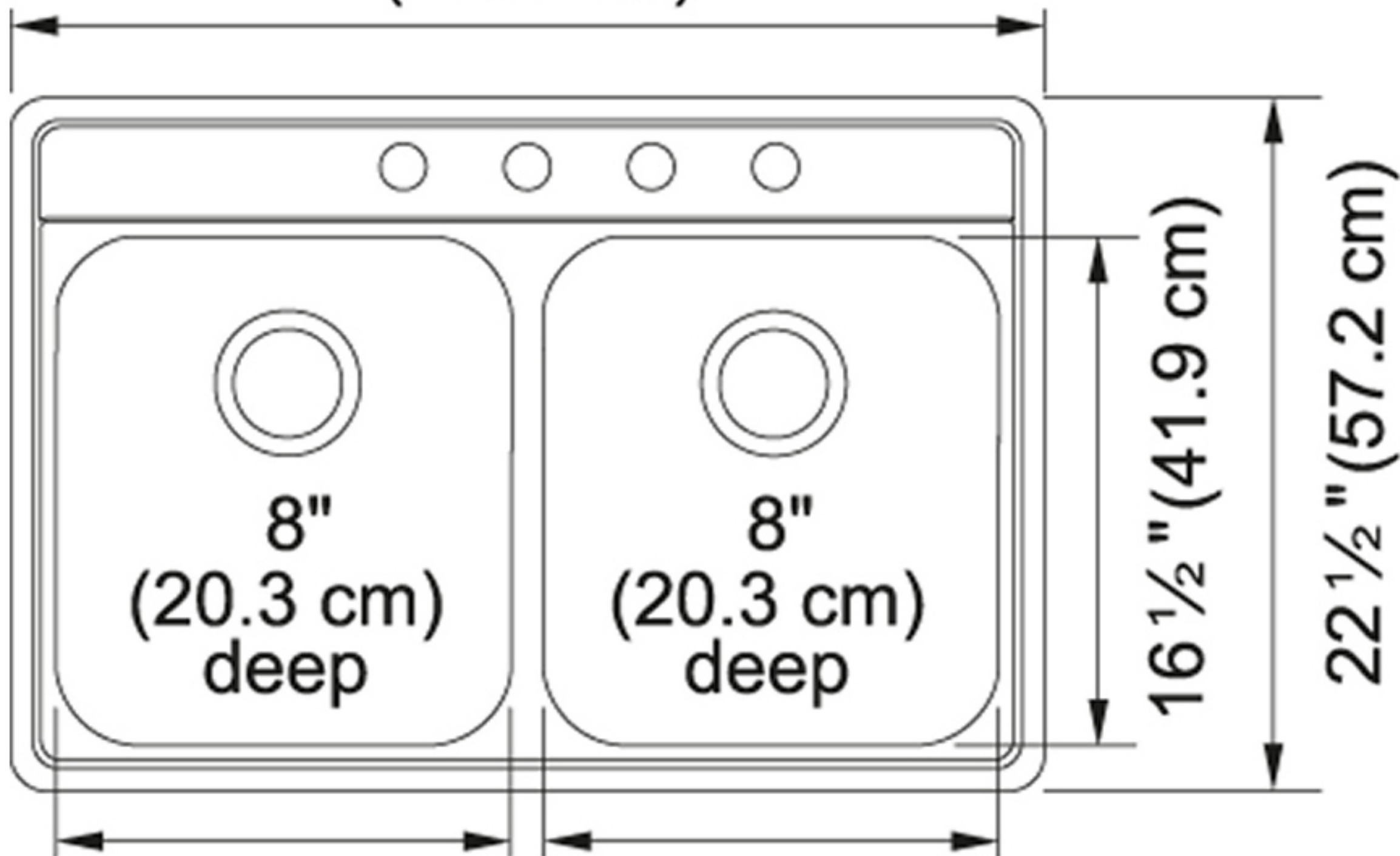


$33\frac{1}{2}"$
(85.1 cm)



$16\frac{1}{2}"$ (41.9 cm)

$22\frac{1}{2}"$ (57.2 cm)

$14\frac{3}{4}"$
(37.5 cm)

$14\frac{3}{4}"$
(37.5 cm)