


**Prizm Urinal Top Supply**



**Model 8946-T**  
Prizm Urinal  
Top Supply, Off-Floor, Wall Waste

All urinals specified on this sheet are configured with a 1-1/2" NPT top spud inlet for a top supply flush valve (flush valve sold separately).

- **Angular Front Commercial WASHOUT Urinal** Requiring Commercial Water Supply Line to Operate. Water Flow Pressure 35 psi (2.41 bars); Water Supply Line 1" (25 mm).
- **TOP SUPPLY (Exposed) Flush Valve Configuration** Compatible Flush Valve (Sold Separately) Releases 1.0 Gallons (3.8 Liters) per Flush. Wall Supply Flush Valve configurations are also available.
- **16-Gage STAINLESS STEEL CONSTRUCTION** Satin Finish is Standard; Also Available in Mira Finish (High Polish)
- **ADA Compliant** Urinals are Compliant when Properly Installed 
- **ANSI, UFAS Compliant**






DESCRIPTION	MODEL/OPTION #
<b>CONFIGURATION</b> - Required Selection	INIT.

**TOP SUPPLY COMMERCIAL PRIZM URINAL**

- Off-Floor, Wall Waste Configuration**
- Satin Finish** (Standard) 8946-T
  - Mira Finish** (High Polish) 8946-T-HP
- ADA COMPLIANT**  Properly mounted 8946-T urinals are ADA Compliant. ADA compliance is subject to the interpretation and requirements of local code authority. Please check your local ADA regulations.

FLUSH VALVE SELECTION	INIT.
<b>Top Supply (Exposed) Flush Valves</b> 	

**Top Supply (Exposed) Flush Valves**  
Requires commercial water supply to operate; Water flow pressure 35 psi (2.41 bars); Water supply line is 1" (25 mm) diameter; Flush valve releases 1.0 gallons (3.8 liters) per flush; flush valve sold separately from fixture.

- Manual Flush** FV1.0-T 
- Electronic Sensor** FV1.0-T-SO  
Valve requires 120 VAC, 60Hz Plug-in Power Supply 
- Battery-Powered Electronic Sensor** FV1.0-T-BSO  
Valve requires 4 AA Batteries 

**Orders will not be processed until specification sheets are complete and signed. NO CANCELLATIONS.**

**APPROVAL FOR MANUFACTURE** 

COMPANY: \_\_\_\_\_

PROJECT NAME: \_\_\_\_\_

SIGNEE'S NAME WRITTEN CLEARLY: \_\_\_\_\_


DATE: \_\_\_\_\_

AUTHORIZED SIGNATURE: \_\_\_\_\_

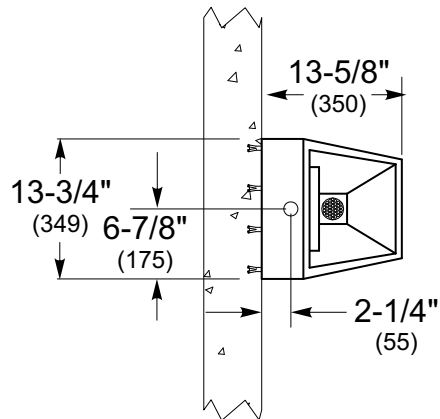
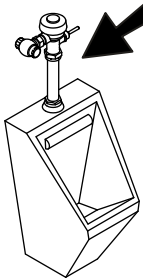
# Prizm Urinal Top Supply

**PRODUCT Specification . . .** Prizm Urinal is an angular washout type urinal. Fixture is fabricated from 16-gage, Type 304 stainless steel. Satin Finish Stainless Steel is standard. The toilet is also available in Mira (high polish) Stainless Steel. Supplied with a 1-1/2" (38 mm) P-trap for waste outlet. Model 8946-T is configured for a Top Supply flush valve (sold separately). Wall Supply configurations are also available. Urinals shall be wall mounted with a recommended rim height of 20" (508 mm) above finished floor. Urinals meet ASME/ANSI guidelines as outlined in A112.19.2.

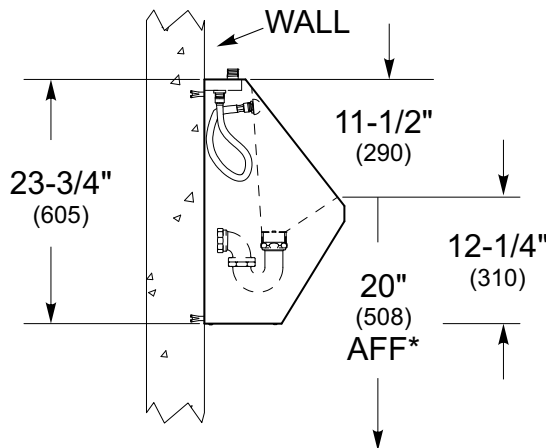
**PLUMBING Specification . . .** Wall mounted washout urinal utilizing a commercial supply line (1" or 25 mm) water inlet into flush valve and 3/4" or 19 mm water inlet into fixture) and 2" (51 mm) in-wall waste line. The urinal is supplied with a 4" (101 mm) x 1-1/2" (38 mm) plain end waste connection. Check applicable plumbing codes. Model 8946-T is configured with a top spud inlet for a Top Supply (exposed) flush valve. Flush valves are sold separately. Compatible flush valves release 1 gallon (3.8 liters) per flush.


 The urinal is ADA compliant if installed with a rim height of 17" (432 mm) and appropriate flush valve is used. Other ADA considerations may be required. Please check your local ADA regulations.

**8946-T  
TOP SUPPLY  
PRIZM URINAL**



**TOP SUPPLY -  
Top Spud Inlet for  
Top Supply (Exposed)  
Commercial Flush Valve  
(valve sold separately)**



 **\* ADA COMPLIANT**  
Properly mounted 8946-T urinals are ADA Compliant. The rim of the urinal is recommended no more than 17" (432 mm) above finished floor. An ADA compliant flush valve must also be used. ADA compliance is subject to the interpretation and requirements of local code authority. Please check your local ADA regulations.

Neo-Metro assumes no responsibility for use of void or suspended data. All dimensions are nominal and subject to manufacturer change without notice.

**INSTALLATION INSTRUCTIONS ARE AVAILABLE**